



PNT280-02NB-CW



PNT280-04ABN-WW

7W LED Pendant Light PNT280-02 & PNT280-04

- 7W by 1,050mA constant current
- Push-fit into PNT280 pendant module

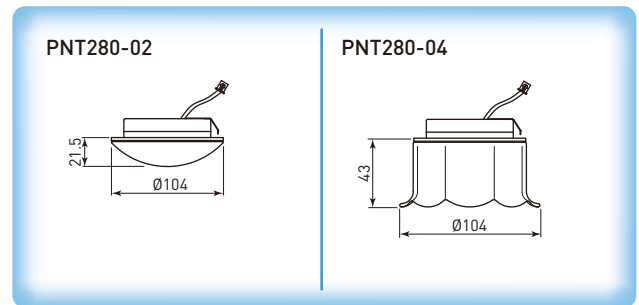


Illustration	Article Code	Model	Light color / Finish
	PNT280-02		
	08.002280.221	PNT280-02NB-CW	cool white / bright silver
	08.002280.411	PNT280-02ABN-WW	warm white / brushed stainless
	PNT280-04		
	08.002281.221	PNT280-04NB-CW	cool white / bright silver
	08.002281.411	PNT280-04ABN-WW	warm white / brushed stainless



7W LED Pendant Light PNT280-08 & PNT280-20

- 7W by 1,050mA constant current
- Push-fit into PNT280 pendant module

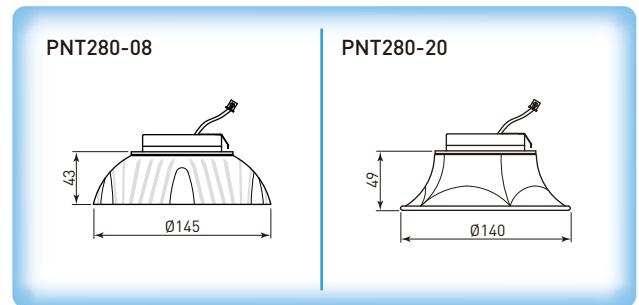





Illustration	Article Code	Model	Light color / Finish
		PNT280-08	
 PNT280-08BY	08.002282.411	PNT280-08RY-ABN-WW	warm white / orange line art glass
	08.002283.411	PNT280-08GY-ABN-WW	warm white / green line art glass
  PNT280-08GY PNT280-08RY	08.002284.411	PNT280-08BY-ABN-WW	warm white / blue line art glass
		PNT280-20	
	08.002288.221	PNT280-20NB-CW	cool white / bright silver
	08.002288.411	PNT280-20ABN-WW	warm white / brushed stainless



SCL-PNT280-02NB-WL-CW



SCL-PNT280-08GY-ABN-WL-WW

Uno-Disc Pendant Module SCL-PNT280

- Surface mounting on ceiling
- With LD1050.2 LED driver for 7W
- LED light not included, to be selected and sold separately
- Various lengths of fiber glass DC wire (WL) available

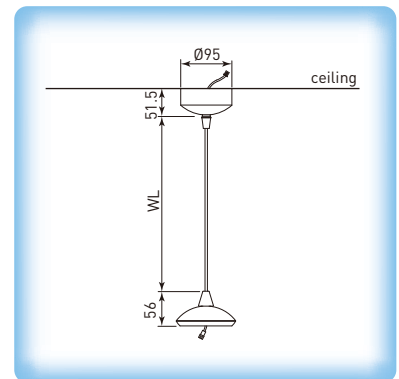


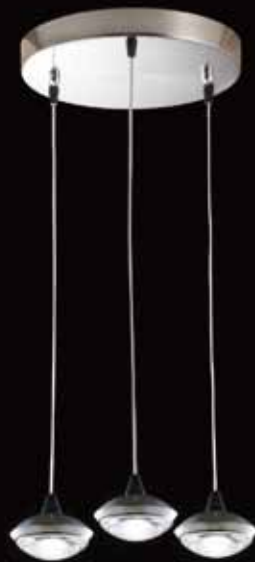


Illustration	Article Code	Model	Wire Length (WL)
		• Finish: pendant cap in bright silver, canopy in polished chrome	
	08.147000.201	SCL-PNT280NB-WL32	320mm
	08.247000.201	SCL-PNT280NB-WL82	820mm
	08.347000.201	SCL-PNT280NB-WL132	1,320mm
		• Finish: brushed stainless	
	08.147000.401	SCL-PNT280ABN-WL32	320mm
	08.247000.401	SCL-PNT280ABN-WL82	820mm
	08.347000.401	SCL-PNT280ABN-WL132	1,320mm
	08.447000.401	SCL-PNT280ABN-WL182	1,820mm



SCL33-PNT280-02NB-WL-CW

Trio-Disc Pendant Module SCL33-PNT280

- Surface mounting on ceiling
- With LD1050.6 LED driver for 21W
- Steel canopy of Ø300mm in brushed stainless
- LED light not included, to be selected and sold separately
- Wire length (WL) adjustable (shortened) with 500mm range

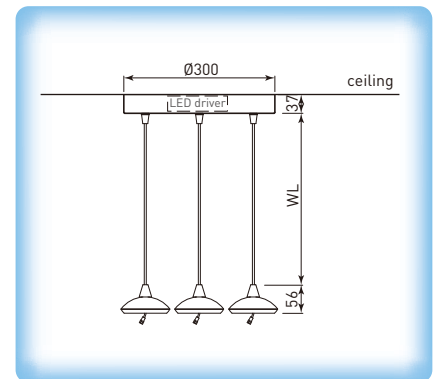


Illustration	Article Code	Model	Wire Length (WL)	
<p>SCL33-PNT280ABN-WL</p>		<ul style="list-style-type: none"> • Finish: pendant cap in bright silver, steel canopy in brushed stainless 		
	08.237000.201	SCL33-PNT280NB-WL82	820mm	
	08.437000.201	SCL33-PNT280NB-WL182	1,820mm	
			<ul style="list-style-type: none"> • Finish: brushed stainless 	
	08.237000.401	SCL33-PNT280ABN-WL82	820mm	
	08.437000.401	SCL33-PNT280ABN-WL182	1,820mm	



SCL205-PNT280-20NB-WL-CW



SCL205-PNT280-08GY-ABN-WL-WW

Duo-Linear Pendant Module SCL205-PNT280

- Linear surface mounting on ceiling
- With LD1050.4 LED driver for 14W
- LED light not included, to be selected and sold separately
- Various length of fiber glass DC wire length (WL) adjustable (shortened) with 300mm range

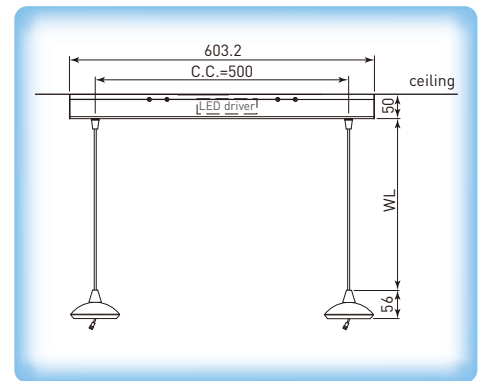


Illustration	Article Code	Model	Wire Length (WL)
		• Finish: bright silver	
	08.242000.201	SCL205-PNT280NB-WL82	820mm
	08.342000.201	SCL205-PNT280NB-WL132	1,320mm
	08.442000.201	SCL205-PNT280NB-WL182	1,820mm
		• Finish: brushed stainless	
	08.242000.401	SCL205-PNT280ABN-WL82	820mm
	08.342000.401	SCL205-PNT280ABN-WL132	1,320mm
	08.442000.401	SCL205-PNT280ABN-WL182	1,820mm



SCL305-PNT280-02NB-WL-CW



SCL305-PNT280-08RY-ABN-WL-WW

Trio-Linear Pendant Module SCL305-PNT280

- Linear surface mounting on ceiling
- With LD1050.6 LED driver for 21W
- LED light not included, to be selected and sold separately
- Various length of fiber glass DC wire length (WL) adjustable (shortened) with 300mm range

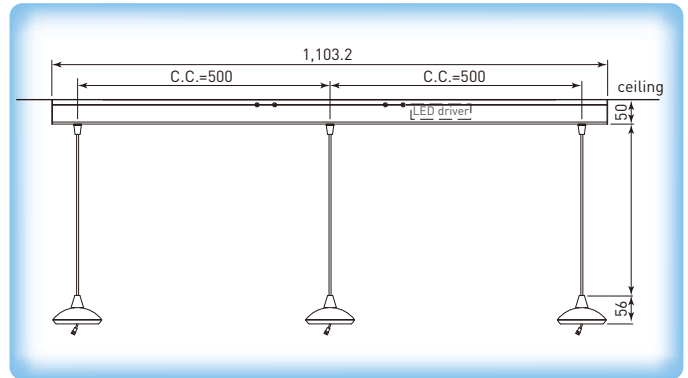


Illustration	Article Code	Model	Wire Length (WL)
		• Finish: bright silver	
	08.244000.201	SCL305-PNT280NB-WL82	820mm
	08.344000.201	SCL305-PNT280NB-WL132	1,320mm
	08.444000.201	SCL305-PNT280NB-WL182	1,820mm
		• Finish: brushed stainless	
	08.244000.401	SCL305-PNT280ABN-WL82	820mm
	08.344000.401	SCL305-PNT280ABN-WL132	1,320mm
	08.444000.401	SCL305-PNT280ABN-WL182	1,820mm